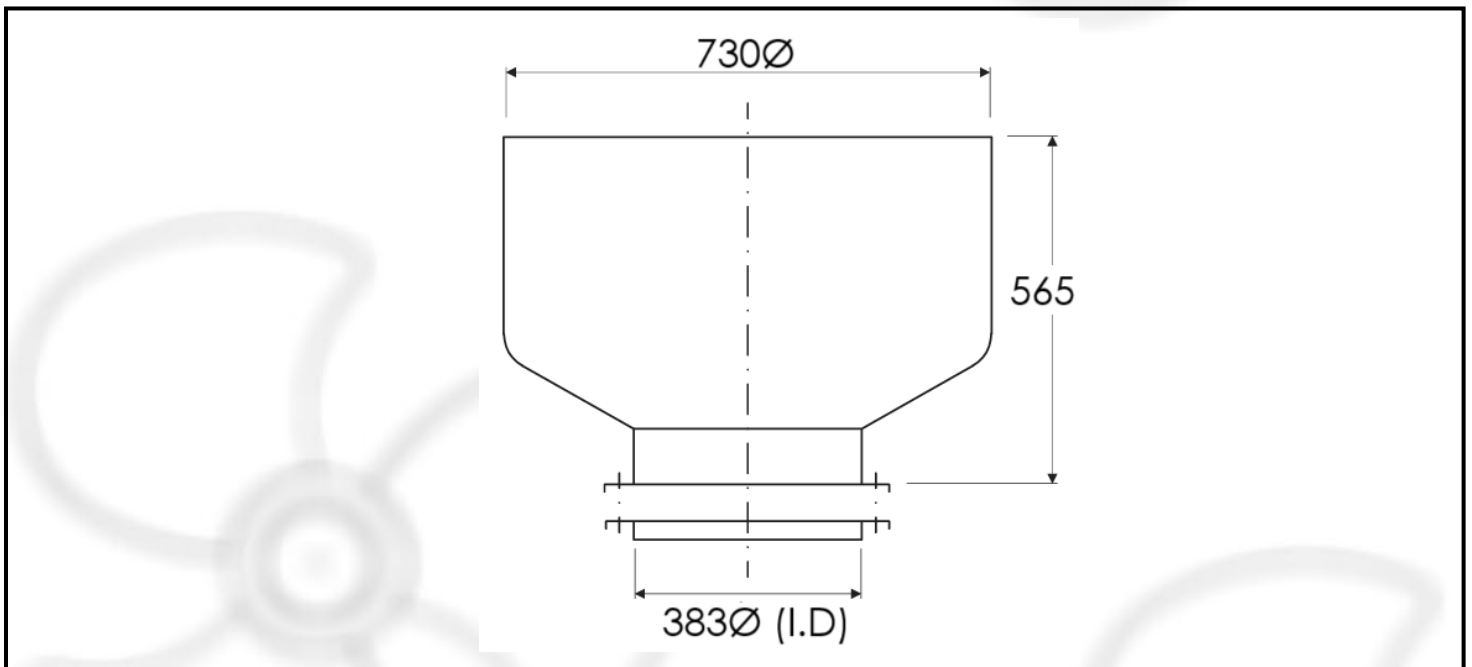
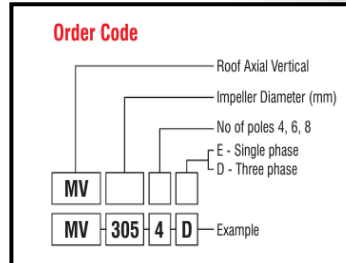


# Technical Data Sheet

## MV381-4E VAR 40° 1Ø Fan

MV381-4E 40° 1Ø Kitchen Exhaust Roof Fan



MV models are high-capacity roof mounted axial exhaust fans they are kitchen exhaust fans. The all-metal fan casing provides a long lasting and robust construction. Suitable for high temperature kitchen exhaust systems.

Motor: 230V 50Hz 1 Phase 2.4 Amp Full Load Current 2440 RPM Total Motor Wattage .37kW  
Aerofoil adjustable pitch impeller  
Performance tests are in accordance with BS848 Part 1 (1980) and AS2936 – 1987  
Impellor Diameter: 381mm diameter

## Fan Details

**Impellers:** Aerofoil adjustable pitch impellers

**Motors:** Sealed for life ball bearing motors.

**Power Rating:** 230V 50Hz 1 Phase 2.4 Amp Full Load Current 2400 RPM

**Speed Control:** MSC1200 Variable Speed Co

**Casing:** Fully weatherproof galvanized steel ventilated housing with grease trap connection. Circular connection with matching flange

### Impeller

Size: 381 mm

Type: Axial Aerofoil

Adjustable Pitch Impellers

### Motor

Power: 0.37 Kw

Power Supply: 230V/1PH/50Hz

Speed: 2400 RPM

4 Pole

FLC: 2.4 A

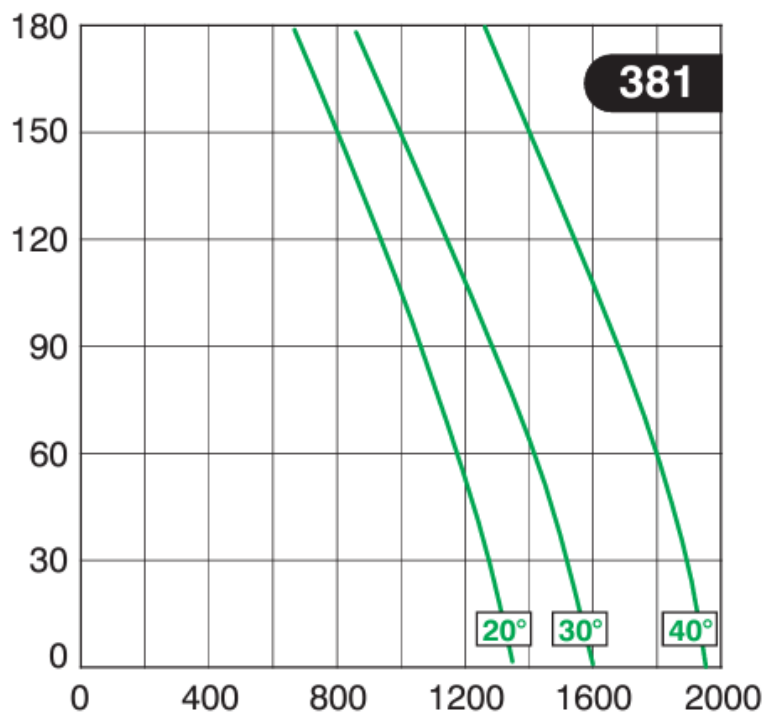
Controller: MSC1200 Controller

### Fan

Case: Galvanised metal

Weight: 35Kg

Temp: 50 oC



Speed (rpm)	Peak Pressure (Pa)	Peak Power (kw)	Motor Running Voltage	Sound Power Level SWL dB re 1 pw								Sound Pressure Level dB @ 3m
				63	125	250	500	1k	2k	4k	8k	
2400	60	0.37	230	43	54	69	68	69	67	64	59	54

Note: Amperages shown are a guide only.

Sound pressure levels quoted are average dBA at 3m distance over a sphere, under free field conditions and are presented for comparative purposes only.

1 Year Warranty