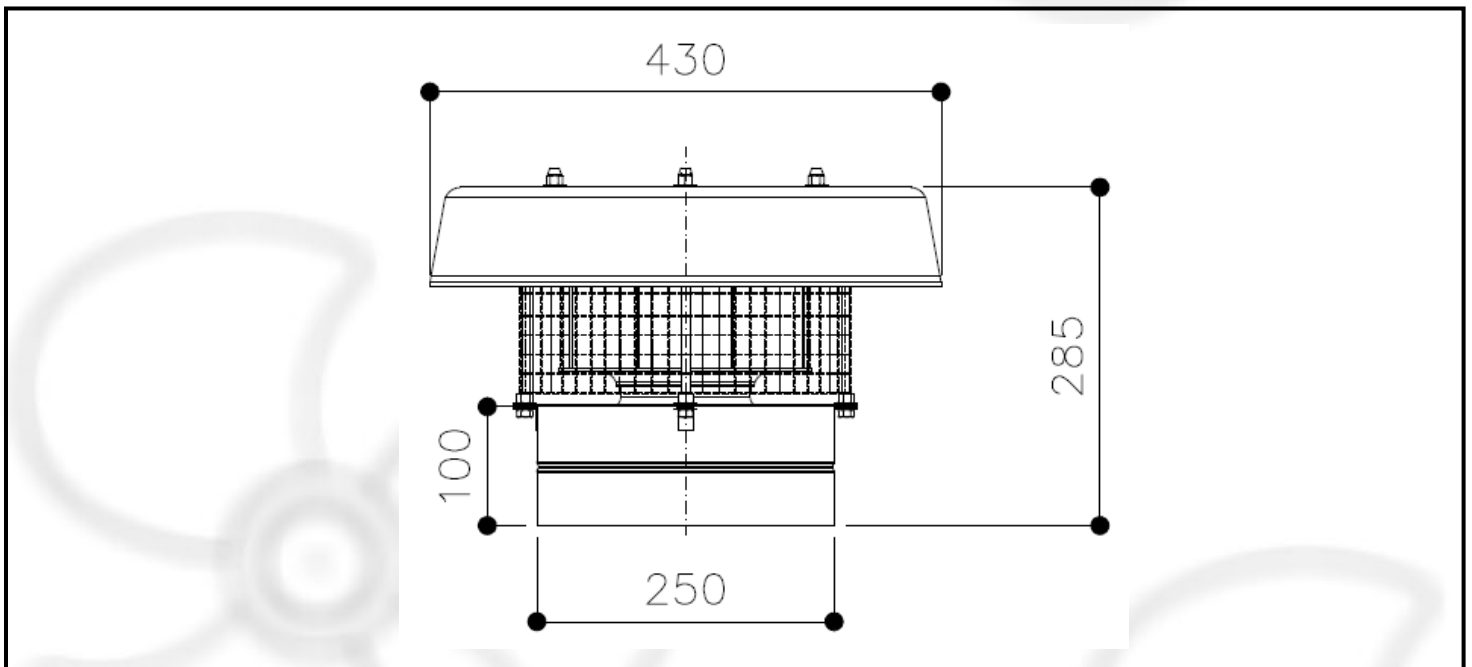


Technical Data Sheet

CFM 250Ø Roof Fan

TTMCR250-2E 1Ø – CFM 250mm Centrifugal Roof Fan



MCR models are high-capacity roof mounted centrifugal exhaust fans they are used to exhaust air from a variety of industrial, commercial buildings, such as machinery and equipment rooms, storage areas, office buildings, restaurants, retail stores, schools and similar buildings.

Motors have excellent speed control characteristics, can be regulated down to 20-30% of full speed. Bird guards fitted as standard. Units are fully assembled allowing quick and easy installation on site. Tops can be powder coated if required. Accessories Available

Fan Details: Part Number TMCR250-2E

Impellers: Centrifugal impeller, Impellor Diameter 225mm

Free Air Fan Performance: 370 l/s

Installed decibel rating: 57 DB(A) @ 3m

Speed Control: Variable Speed Controller if required. VA500

Mounting: 250mm spigot off bottom of fan unit (Longer Tube optional extra)

Motor

230-240VAC 50Hz 1 Phase 0.8 Amp
Full Load Current 2580 RPM

Total Motor Wattage 183 watt

Backward curved impeller speed
controllable

BCA Compliance: Complies with
Section J5.2 2009

Weight 11kg

Sound Levels

Sound Pressure Levels	Inlet Sound Power Level in dB re 10 pW								
	63	125	250	500	1K	2K	4K	8K	
	57	23	38	51	67	73	75	69	59

