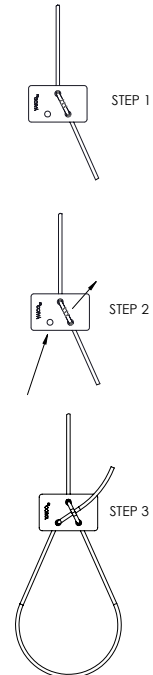
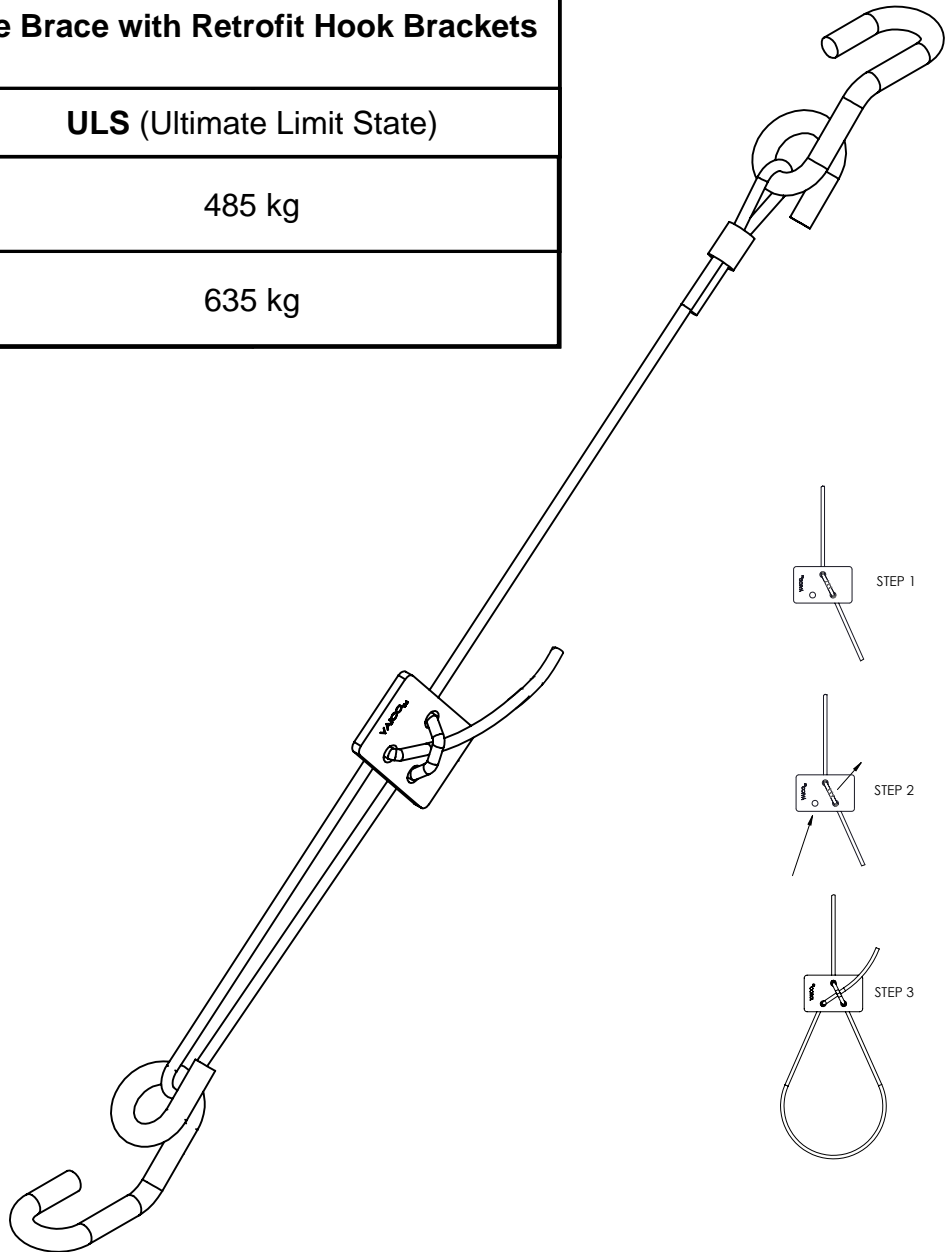


V.LOCK Seismic Cable Brace with Retrofit Hook Brackets

Cable Size	ULS (Ultimate Limit State)
No.3 (3.18mm / 1/8")	485 kg
No.5 (4.75mm / 3/16")	635 kg



Registered Design
 Patented No. 2021107288
 Other Patents Pending

V.LOCK

● ● SEISMIC & SUSPENSION

KMR2021-3242

Airflow Engineering
THE HVAC SHOP

3a Langstone Lane, Christchurch
 +64 3 3656278 sales@thehvacshop.co.nz

V.LOCK Seismic Cable Brace
 with retrofit Hook Brackets

Drawing No.
VL-SH

Revision
B