

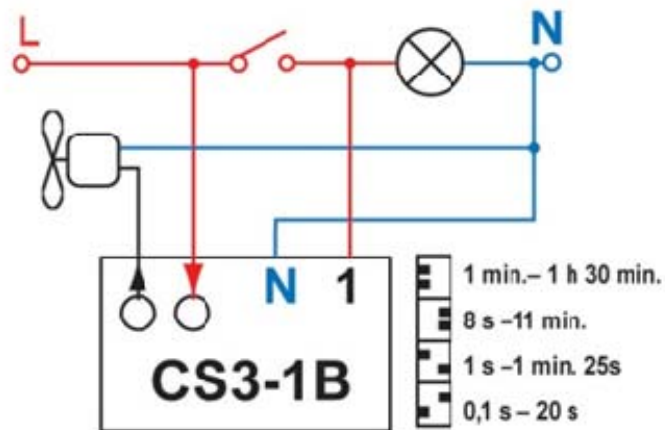
# Technical Data Sheet

## HSFA175

**WEISS™**

Run-on Timer

Hangsell



Activates the fan "DELAY" start (1s to 5 min) after switching the lighting on and deactivates it at a pre-set time (1s to 90 min. "TIMING") after switching the lighting off.

### Specifications

N/A

### Approval

740-145/01

### Features

Fully Adjustable Timer

- Easy to install
- Start timer adjustable
- Run timer adjustable
- 1 year warranty

# Technical Data Sheet

## Product Use

The HSFA175 is used as a run on timer for bathroom fans

Typical applications:

- Toilets
- Bathrooms
- Laundries

## Environmental Conditions

Operation	to IEC 721-3-3
Climatic conditions	class 3K5
Temperature	0...+50°C
Humidity	<95% r.h.

## Standards

Test standards	EN 60730-1+A1+A11+A12:12/94
	EN 60730-2-7+A11+A12:06/96
Test Report no	740-145/01
EMC Compliance	EN55014-2:1998
	EN61000-4-6:1997

## General

The FA175 activates a fan after a set time (1 second - 5minutes) following being switched on and deactivates it again after a set time (1 second - 90minutes) following the fan being switched off. Should the run-on period be shorter than the first programmed time, the fan is not activated. The FA175 is suitable for regulating fans in bathrooms and toilets, etc.

## Ordering

When ordering please give name and type, Reference HSFA175

## Technical Data

Power Supply	230 VAC
Power Consumption	N/A
Supply Line Fusing	max. 10A
Resistive Load	20-350 Watts
Inductive Load	20-200 Watts
Switching Element	Triac
Adjustable time	1s - 90minutes
Number of decades	4