

Single Room Fresh Air Ventilation

Wall Mounted Lossnay VL100 Fresh Air Energy Recovery



Single Room Lossnay Fresh Air Ventilation

The wall mounted VL100 Lossnay Fresh Air Energy Recovery Single Room Ventilation unit provides an effective solution for an area up to 120m²*, and with the advantage of heat recovery it's the perfect energy efficient solution for a healthy indoor environment all year round. As the unit is ductless in design, the system is ideal for homes and buildings where there is no roof space to install a ducted ventilation system.

*Based on 0.35 ac/h

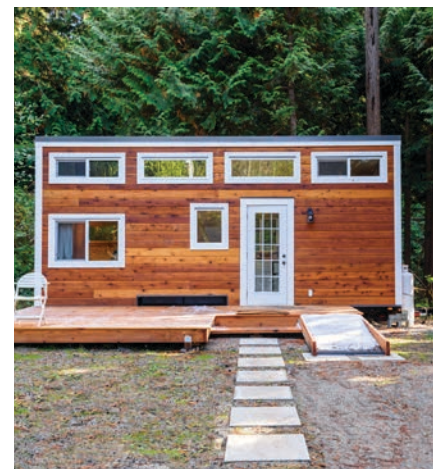


The Need for Fresh Air

Stale air with higher levels of CO₂ is a common problem not only in schools and offices, but also in homes where building structures are becoming more and more airtight due to more stringent building regulations. High levels of CO₂ can effect concentration and learning as well as overall wellbeing and productivity.

Furthermore, the lack of natural ventilation in airtight spaces can lead to the build-up of moisture-laden stale air in individual rooms. This is the perfect breeding ground for mould that can trigger allergy or respiratory problems.

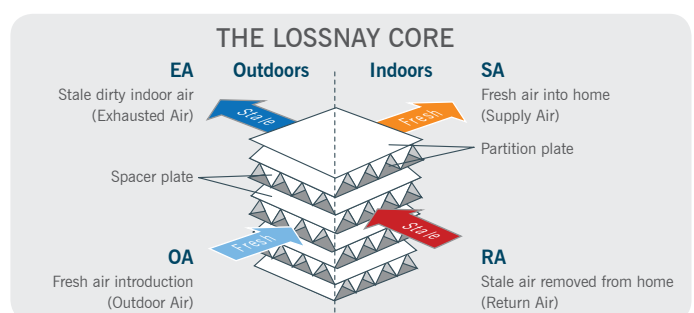
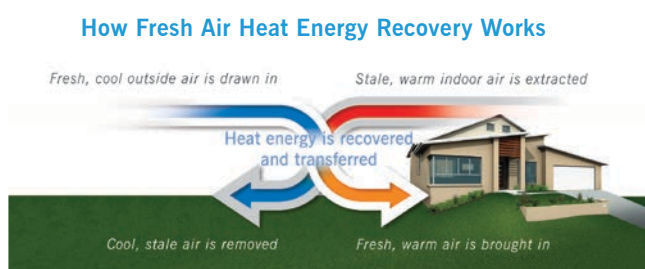
The option of leaving doors and windows open to allow fresh air to enter is not always desirable or practical, with potential security risks and greater exposure to outdoor noise.



How It Works

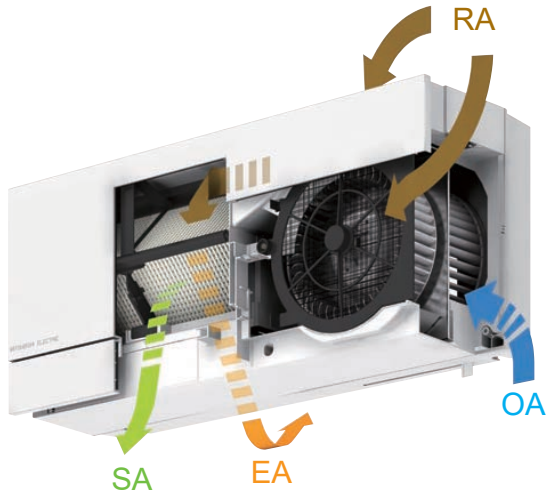
The Balanced Pressure Lossnay Energy Recovery Ventilation System removes stale, dirty air from indoors and draws in fresh air from outside. Lossnay also recovers heat energy from the air being transferred to pre-warm (or pre-cool) the fresh air drawn into the room.

1. The stale air extracted from your room is Return Air (RA). Return Air can contain high levels of CO₂, odours and other pollutants. This Return Air stream also contains heat energy that Lossnay can recover, which is not the case with Positive Pressure Ventilation Systems.
2. As the stale Return Air is removed, Lossnay's Patented Core 'recovers' the useful heat energy from it. The air is then exhausted (EA) outside along with the unwanted pollutants.
3. Outdoor Air (OA) is introduced to provide fresh air. It is first filtered, then passed through the Lossnay Core. This allows it to be pre-warmed in winter (or pre-cooled in summer) using the energy recovered from the Return Air.
4. Supply Air (SA) then enters your room as fresh pre-warmed or pre-cooled air.



Benefits of VL100 Energy Recovery Ventilation

A well ventilated room is vital as it maintains air quality; creating a healthier and more comfortable environment. The Mitsubishi Electric VL100 Lossnay System is a patented energy recovery ventilation solution that uses fresh outdoor air to ventilate a room. The system extracts stale air from inside a room and replaces it with fresh air from the outside, whilst recovering heat energy from the extracted air.



Features

- ✓ Improves air quality
- ✓ Removes stale air from the inside
- ✓ Circulates fresh air without draughts
- ✓ Energy is recovered from stale outgoing air
- ✓ Balanced Pressure Ventilation

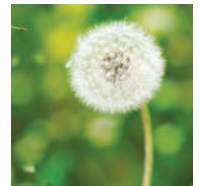
Simple Installation - No Roof Space Required

Easy installation by drilling 2 installation holes through the wall. All of the parts needed are included with the unit.*



Improved Air Quality

By drawing in fresh outdoor air, indoor air quality is improved as high levels of CO₂, odours and other pollutants are diluted and removed from your home.



Retains Heat

Lossnay's unique Energy Recovery Technology collects up to 80% of the heat energy in outgoing air which is then used to pre-warm or cool the fresh air vented in.



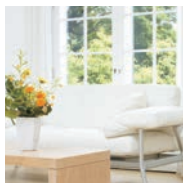
Energy Efficient

Incoming fresh air is pre-warmed so your heating system isn't required to work as hard to maintain the desired temperature, reducing the air conditioning bill.



Fresh Air Without Open Windows

Lossnay allows you to have a well-ventilated room without the need to open windows. This improves the safety of a room and ensures outdoor noise is minimised.



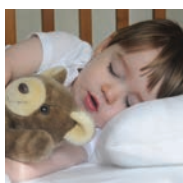
Low Noise Design

The unit operates at a quiet 25dB on low fan speed.



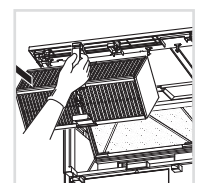
Creates a Healthier Home

Filtered fresh air improves air quality for allergy and asthma sufferers.



Easy Maintenance

Filters can be removed for regular cleaning to keep the unit in optimal working condition.



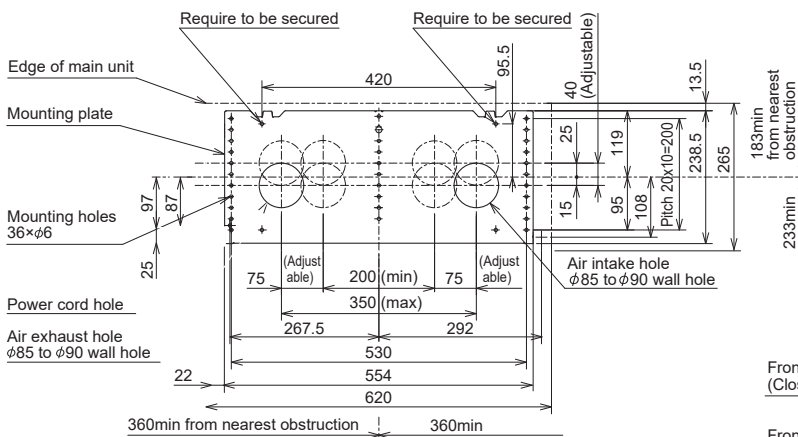
*Switch not included

Lossnay VL-100EU₅-E Technical Specifications

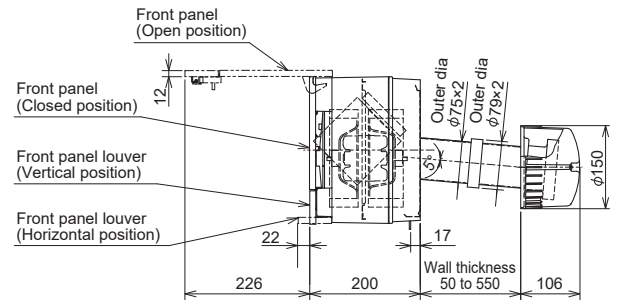
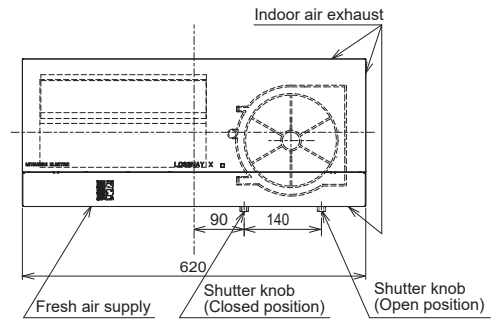
Supply Voltage (V)	Power Line Frequency (Hz)	Fan Speed	Air Volume (m ³ /h)	Air Volume (l/s)	Power Consumption (W)	Temp. Exchange Efficiency (%)	Noise (dB)	Weight (kg)
230	50	HI	105	29	31	73	37	7.5
		LO	60	16	15	80	25	

- Simple installation by drilling 2 installation holes with a diameter of 75mm
- Low noise (25dB at low fan speed)
- Low/high fan speeds
- Air-supply/exhaust pipes and plastic weather covers included
- Wall switch operated (not included)
- Serves an area up to 120m²*
*Based on 0.35 ac/h

Dimensions

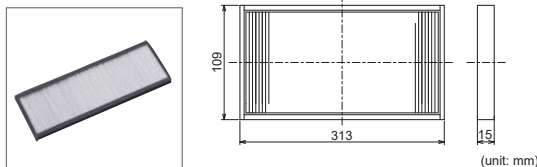


Unit (mm)



Optional Parts

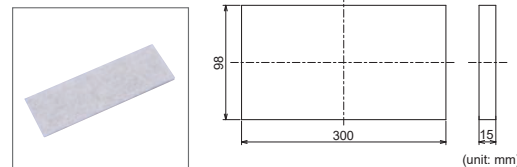
High Performance Filter P-100HF₅-E



Upgraded High Performance Filter

M6 Grade (EN779:2012)

Replacement Filter P-100F₅-E



Standard Grade Replacement Filter

G3 Grade (EN779:2012)



Black Diamond Technologies

Exclusive distributor of Mitsubishi Electric products in NZ

WELLINGTON HEAD OFFICE

1 Parliament Street
PO Box 30772
Lower Hutt 5040

Phone (04) 560 9147
Fax (04) 560 9133

AUCKLAND BRANCH

Unit 1, 4 Walls Road
PO Box 12726
Penrose, Auckland 1642

Phone (09) 526 9347

CHRISTCHURCH BRANCH

44 Halwyn Drive
PO Box 16904
Hornby, Christchurch 8441

Phone (03) 341 2837

For more information on Mitsubishi Electric Lossnay, please visit www.mitsubishi-electric.co.nz or call our Customer Service Team on **0800 784 382**