

DATA SHEET



MCV560-4D 3Ø – 560mm Centrifugal Kitchen Exhaust Roof Fan

MCV models are high capacity roof mounted centrifugal exhaust fans they are kitchen exhaust fans. The all metal fan casing provides a long lasting and robust construction. Suitable for high temperature kitchen exhaust systems.



SPECIFICATIONS

o MCV560-4D 415V Kitchen Exhaust Roof Fan 4 Pole	
o Motor: 415V 50Hz 3 Phase 4.1 Amp Full Load Current 1320 RPM	
o Centrifugal impellers	
o Performance tests are in accordance with BS848 Part 1 (1980) and AS2936 - 1987	
o Total Motor Wattage: 2.16kW	
o Sound level at 3m [dB(A)] Free Field: 69	
o Fully weatherproof galvanized steel ventilated housing with grease trap connection	
o Free Air Fan Performance: 2500 l/sec @ 250pa	
o Impellor Diameter: 560mm diameter	
o Suitable for high temperature kitchen exhaust systems	
o Mountings: 720mm base off bottom of fan unit	

Features	Benefits
o Motors have excellent speed control characteristics	o Can be regulated down to 20-30% of full speed.
o Sealed for life ball bearing motors	o Suitable for high temperature kitchen exhaust systems
o The units are fully assembled	o This allows quick and easy installation on site
o Tops can be powder coated if required	o Fans can be matched to fit your colour scheme
o Accessories Available	o Silencers available
o 1 Year Warranty	

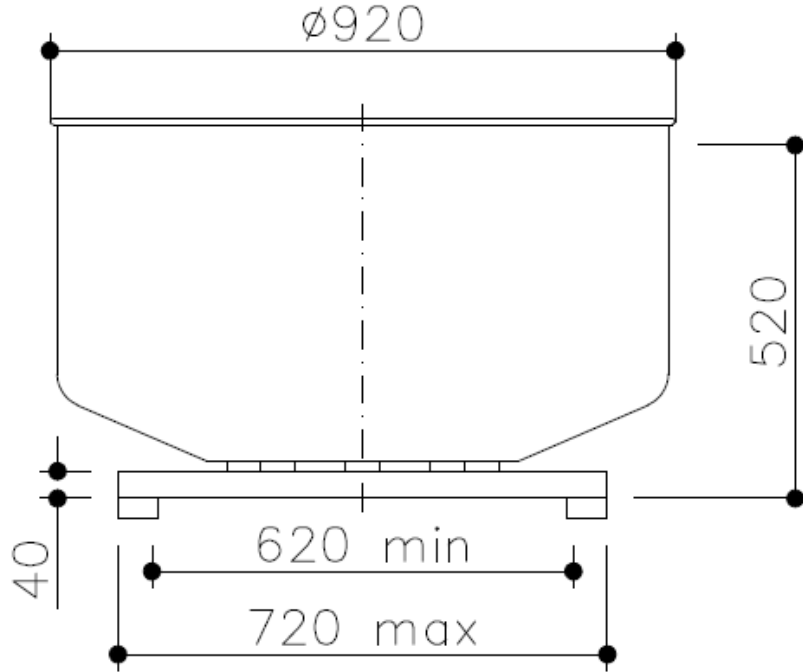




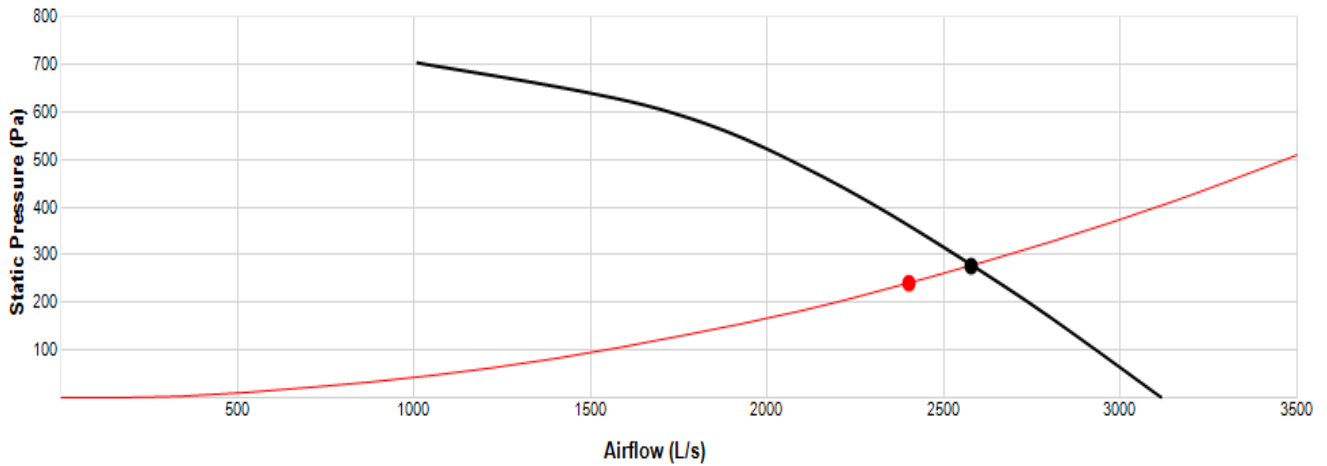
DATA SHEET

CFM **FANS**

DIMENSIONS & ELECTRICAL DATA



Product Code	BASE	Weight (kg)
MCV560-4D 415V	720x720	60



Product Code	Speed	Motor Rating (kw)	380-415V / 50Hz / 3Ø		Sound Pressure Levels	Inlet Sound Power Level in dB re 10 pW							
			Full Load Current (at 230V) (A)	Speed Controller		63	125	250	500	1K	2K	4K	8K
MCV560-4D	1320	2.16	4.1	VSD	50	46	63	65	64	62	59	57	71

Sound pressure levels quoted are average dBA at 3m distance over a sphere, under free field conditions and are presented for comparative purposes only.

